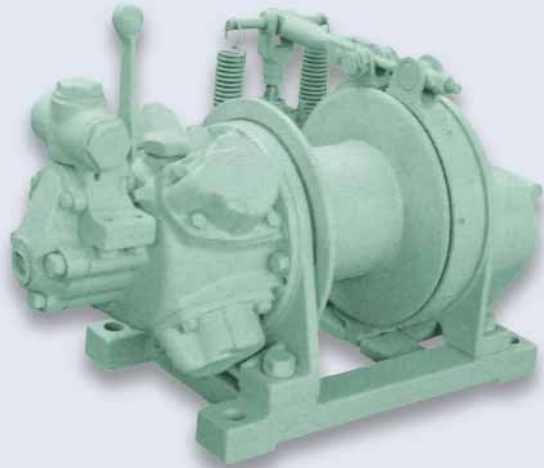


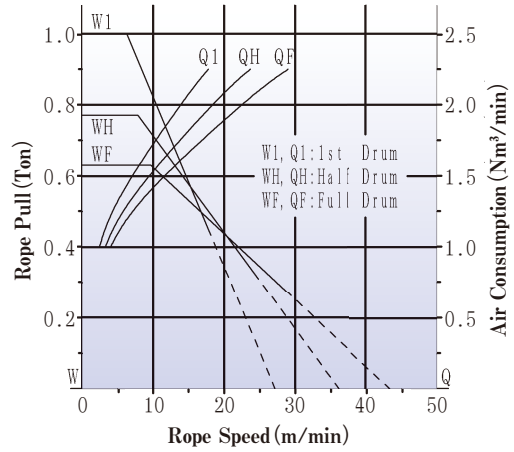
## Capacity 0.5 ton

### PERFORMANCE



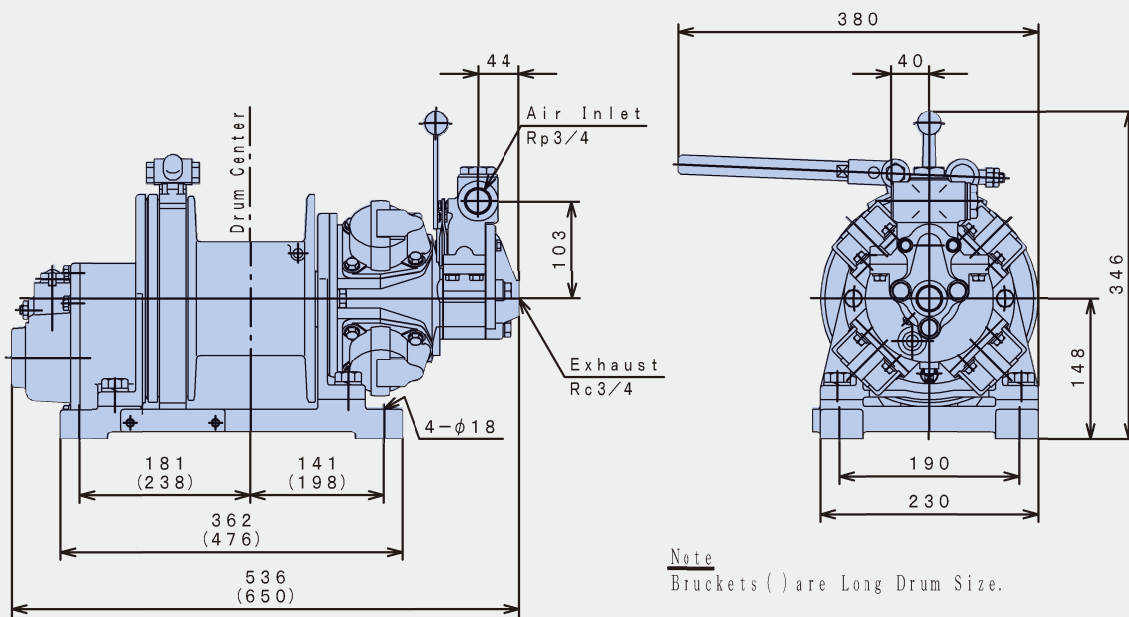
W-05-SAC-AB

### Air Pressure at 0.6MPa



## W-05-3-\*AC-MB

### DIMENSION



## W-05-3-\*AC-AB

### DIMENSION

