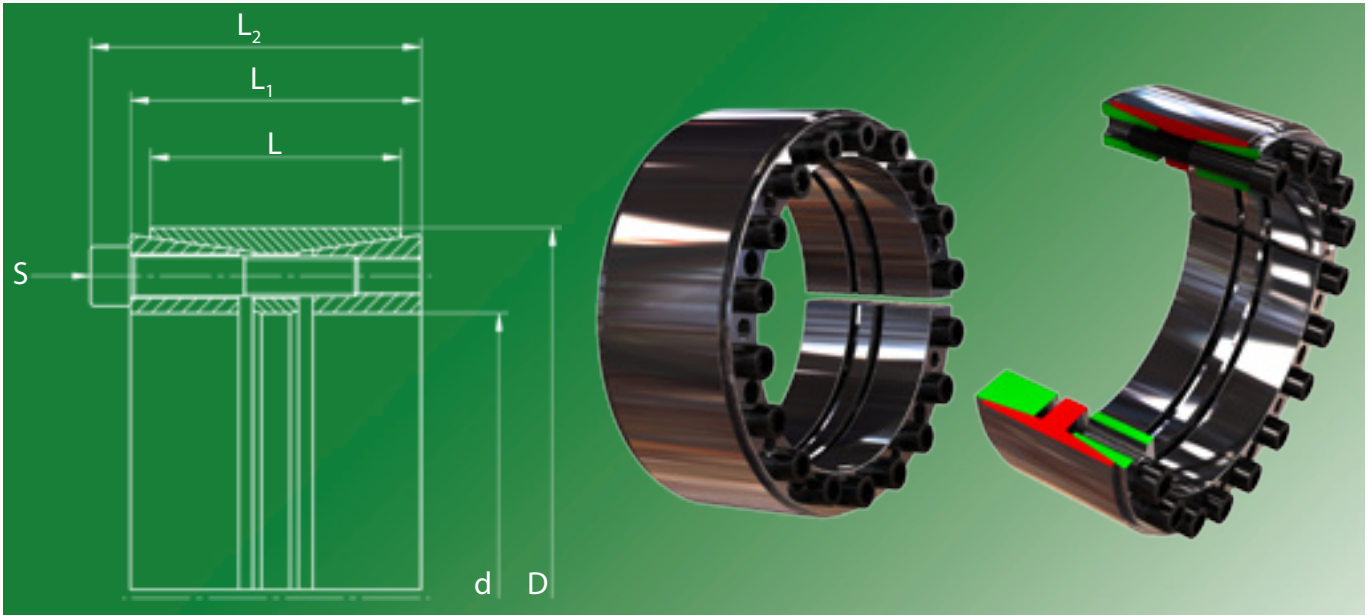
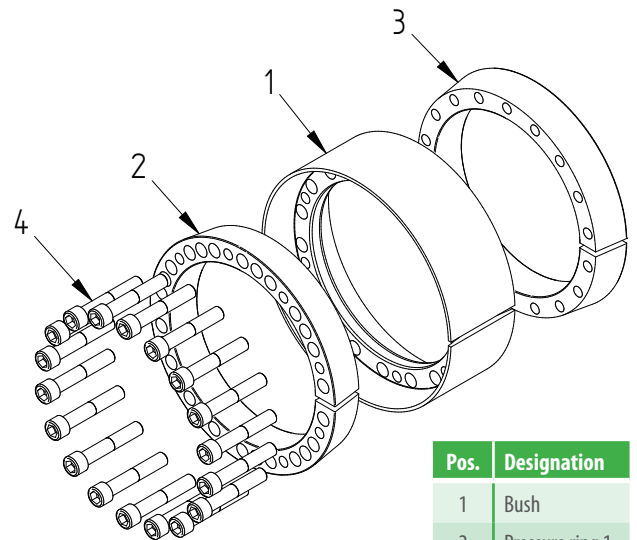


3015.1



Used symbols

d	[mm]	Shaft diameter	
D	[mm]	Hub inside diameter	
M_t	[Nm]	Max. transmittable torque	$F_{ax} = 0$
F_{ax}	[kN]	Max. transmittable axial force	$M_t = 0$
p_w	[N/mm ²]	Average pressure on the shaft	
p_n	[N/mm ²]	Average pressure on the hub	
L	[mm]	Length of the bush	
L_1	[mm]	Width of the locking device without screws	
L_2	[mm]	Width of the locking device with screws	
Z		Number of clamping screws	
S		Size of the clamping screws	
M_A		Tightening torque of the clamping screws	



Pos.	Designation
1	Bush
2	Pressure ring 1
3	Pressure ring 2
4	Screw

Recommended tolerances & surfaces

Shaft	h8 / Rz10
Hub	H8 / Rz10

Bending loads

Bending moment (share)	$M_b \max = 0,4 * M_t$
Bending angle	max. 5°

More properties

- low axial displacement during assembly
- good self-centering
- low self-locking

Ordering information: TAS 3015.1/d/D (for example: TAS 3015.1/150/200 ... further sizes on request)

3015.1

d mm		D mm	M_t Nm	F_{ax} kN	P_w N/mm ²	P_N N/mm ²	Z Stk	S	M_A Nm	L mm	L₁ mm	L₂ mm	Weight kg
70	x	110	4000	116	110	56	8	M10 x 055	49	50	60	70	2,2
80	x	120	5800	146	121	64	10	M10 x 055	49	50	60	70	2,5
90	x	130	7200	160	118	65	11	M10 x 055	49	50	60	70	2,7
100	x	145	8600	173	96	53	10	M12 x 060	69	60	70	82	4,1
110	x	155	9500	173	87	49	10	M12 x 060	69	60	70	82	4,4
120	x	165	11400	191	88	51	11	M12 x 060	69	60	70	82	4,7
130	x	180	15700	243	92	55	14	M12 x 065	69	65	79	91	6,2
140	x	190	18200	260	91	56	15	M12 x 065	69	65	79	91	6,6
150	x	200	19500	260	85	53	15	M12 x 065	69	65	79	91	7,0
160	x	210	22100	277	85	54	16	M12 x 065	69	65	79	91	7,4
170	x	225	29200	344	84	52	15	M14 x 075	108	78	92	106	10,4
180	x	235	30900	344	79	50	15	M14 x 075	108	78	92	106	11,0
190	x	250	34900	367	67	44	16	M14 x 080	108	88	102	116	14,3
200	x	260	45600	456	80	53	18	M14 x 080	108	88	102	116	15,0
220	x	285	52400	476	70	46	15	M16 x 090	168	96	108	124	19,4
240	x	305	76200	635	86	58	20	M16 x 090	168	96	108	124	21,0
260	x	325	82500	635	79	54	20	M16 x 090	168	96	108	124	22,5
280	x	355	117000	839	105	65	15	M20 x 100	369	96	110	130	28,2
300	x	375	134000	895	104	66	16	M20 x 100	369	96	110	130	30,0
320	x	405	179000	1119	97	59	20	M20 x 110	369	124	136	156	47,1
340	x	425	190000	1119	91	56	20	M20 x 110	369	124	136	156	49,7
360	x	455	250000	1389	85	58	20	M22 x 130	495	140	157	179	66,8
380	x	475	263000	1389	81	55	20	M22 x 130	495	140	157	179	70,1
400	x	495	305000	1528	84	58	22	M22 x 130	495	140	157	179	73,4
420	x	515	350000	1667	88	61	24	M22 x 130	495	140	157	179	76,7
440	x	535	366000	1667	84	59	24	M22 x 130	550	140	157	179	79,9
460	x	555	383000	1667	80	57	24	M22 x 130	550	140	157	179	83,2
480	x	575	416000	1736	80	57	25	M22 x 130	550	140	157	179	86,5
500	x	595	434000	1736	77	55	25	M22 x 130	550	140	157	179	89,8
520	x	615	505000	1945	83	60	28	M22 x 130	550	140	157	179	93,1
540	x	635	525000	1945	80	58	28	M22 x 130	550	140	157	179	96,3
560	x	655	583000	2084	82	60	30	M22 x 130	550	140	157	179	99,6
580	x	675	604000	2084	79	58	30	M22 x 130	550	140	157	179	103
600	x	695	625000	2084	77	57	30	M22 x 130	550	140	157	179	106